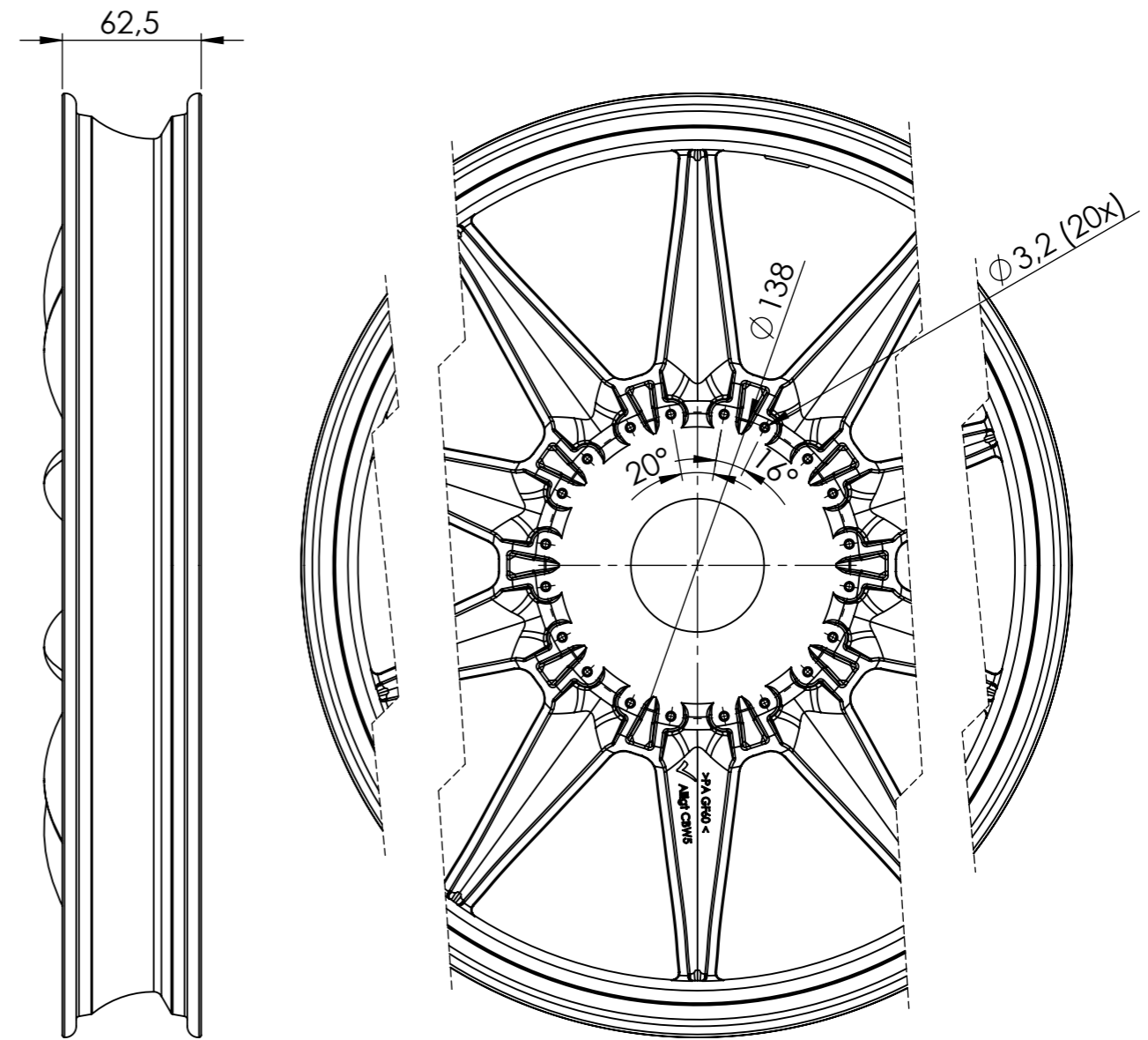
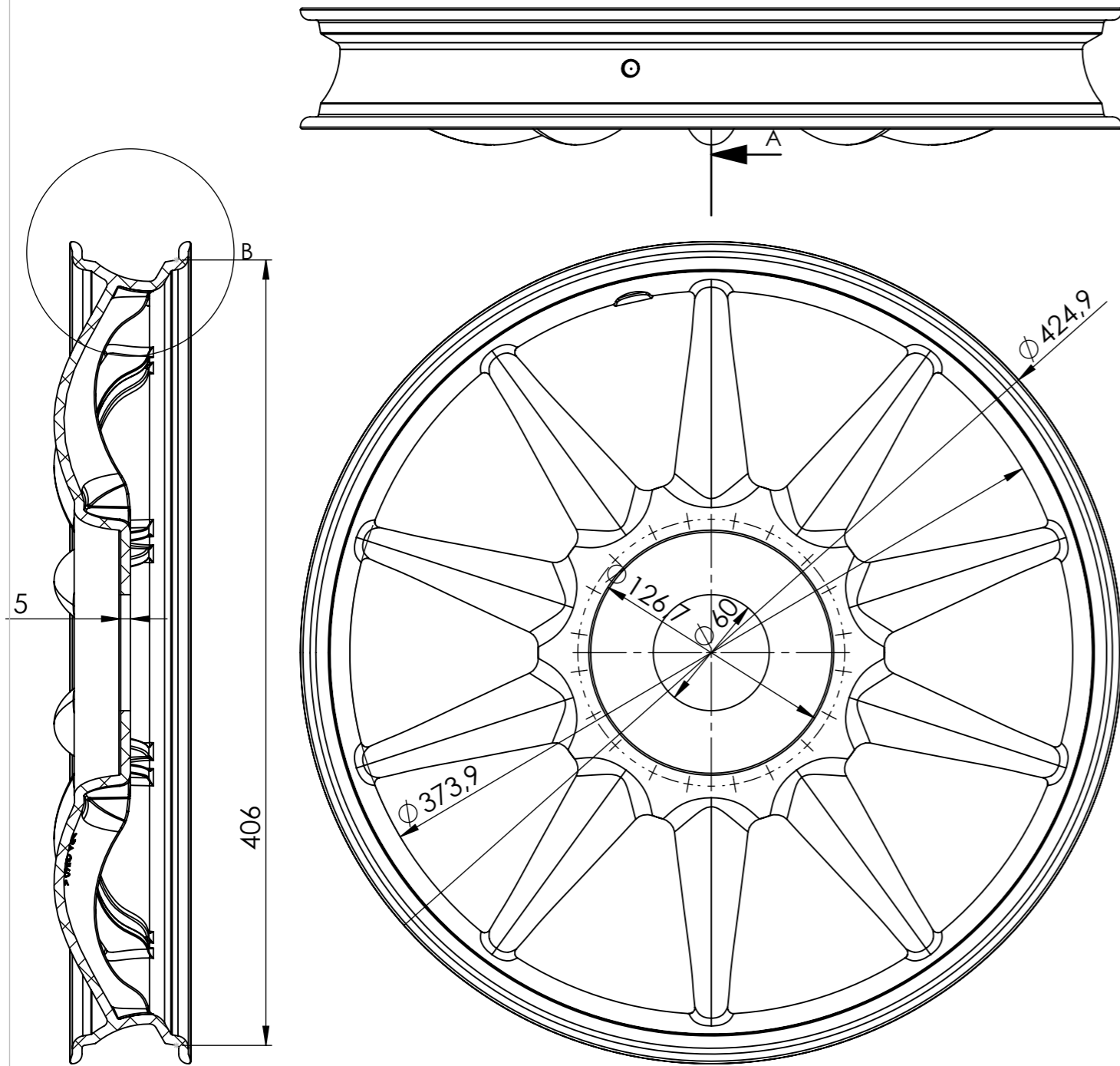
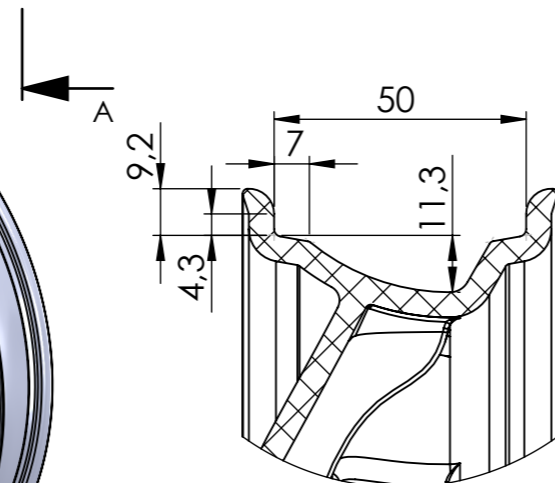
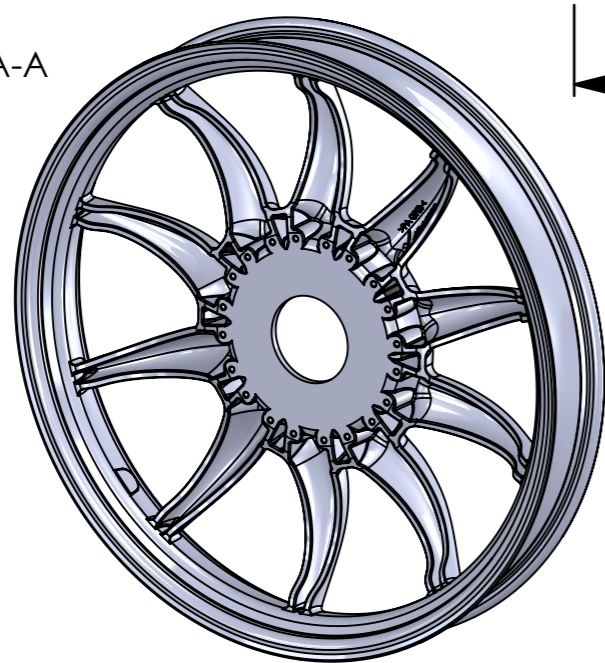


REVISIONS		
REV.	DATE	DESCRIPTION



SECTION A-A



DETAIL B
SCALE 2 : 3

Dimensions in millimeters. Do not scale drawing. 3D files are leading. Unless otherwise specified R0 may be R0.2

3D file name includes revision letter(s) or number: name + revision

CBW5_19

Description

Material:
Weight (estm): gram
Status: For quotation
General Tolerance:

Drawn JB
Date 18-1-2023
Created 3-10-2022

Bol design

Bol Design
Babberichseweg 77
6905JS Zevenaar
The Netherlands
www.boldesign.nl

remarks:

Finish
View
Other

SCALE:1:3
A3 SHEET 1 OF 1