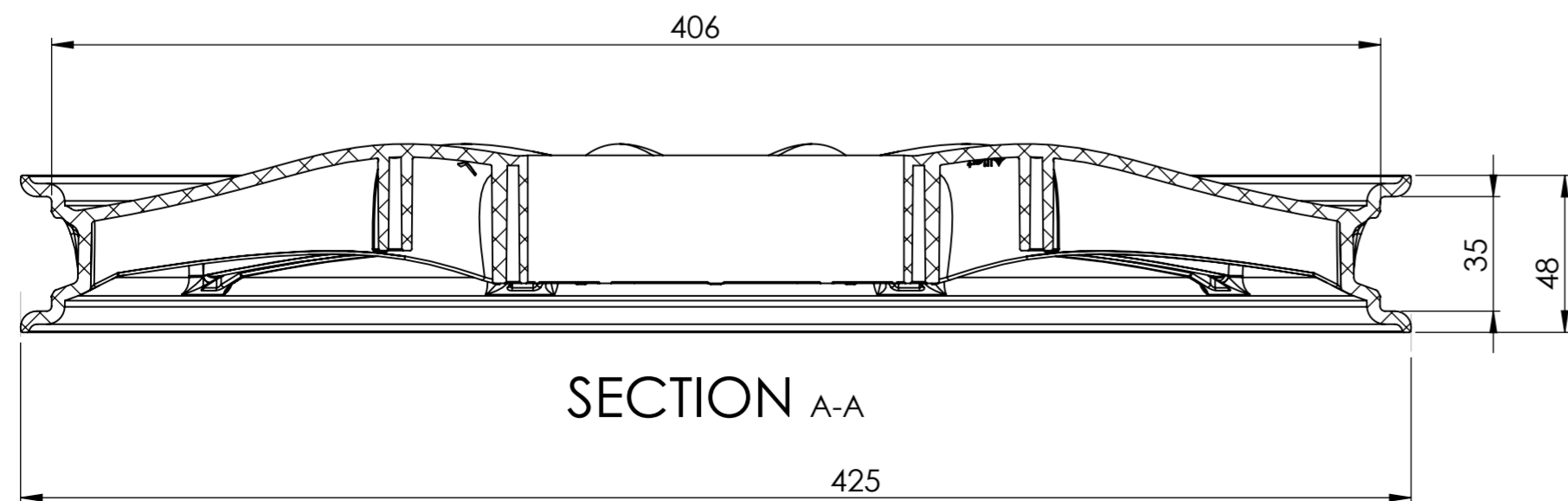
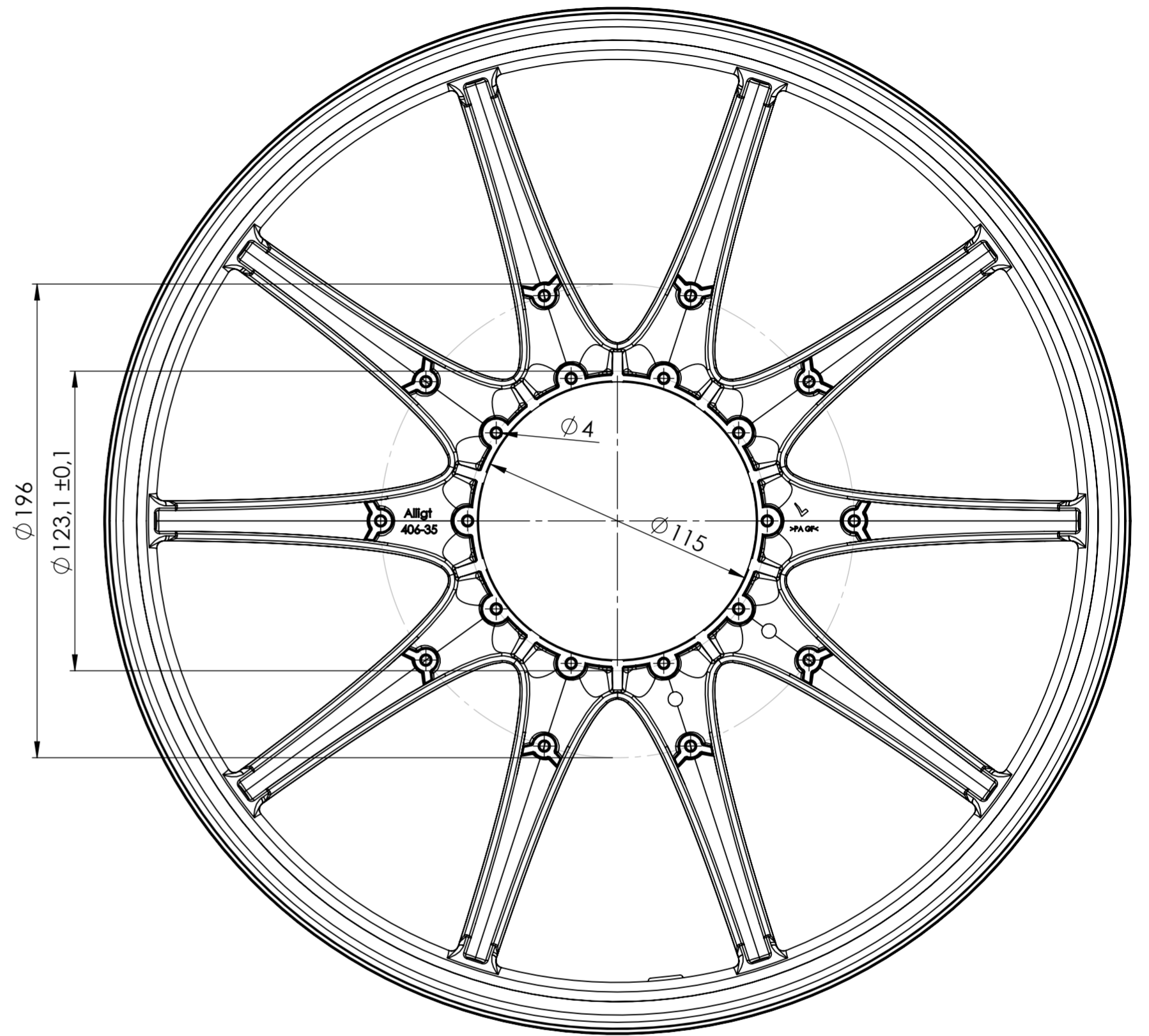
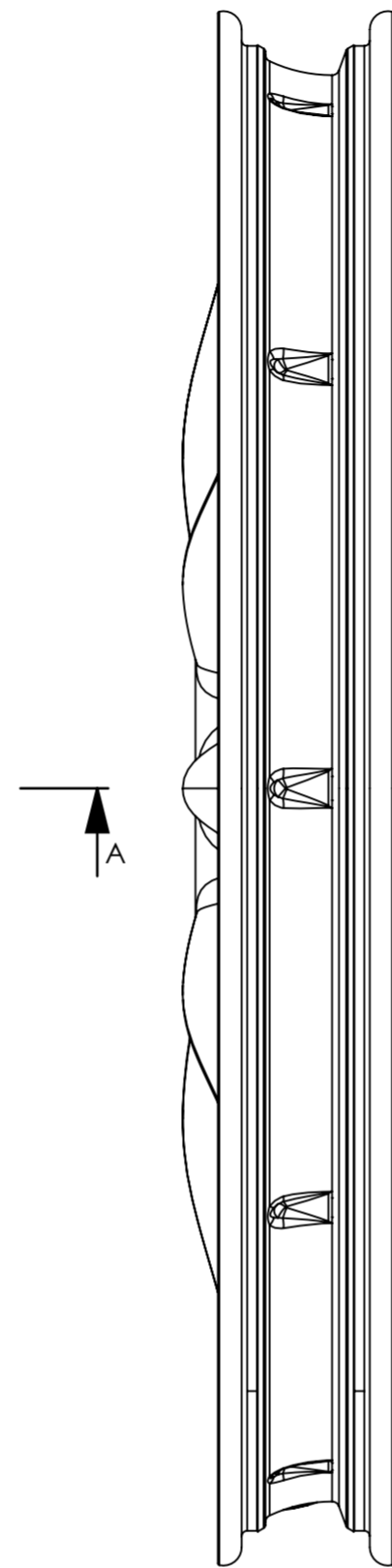
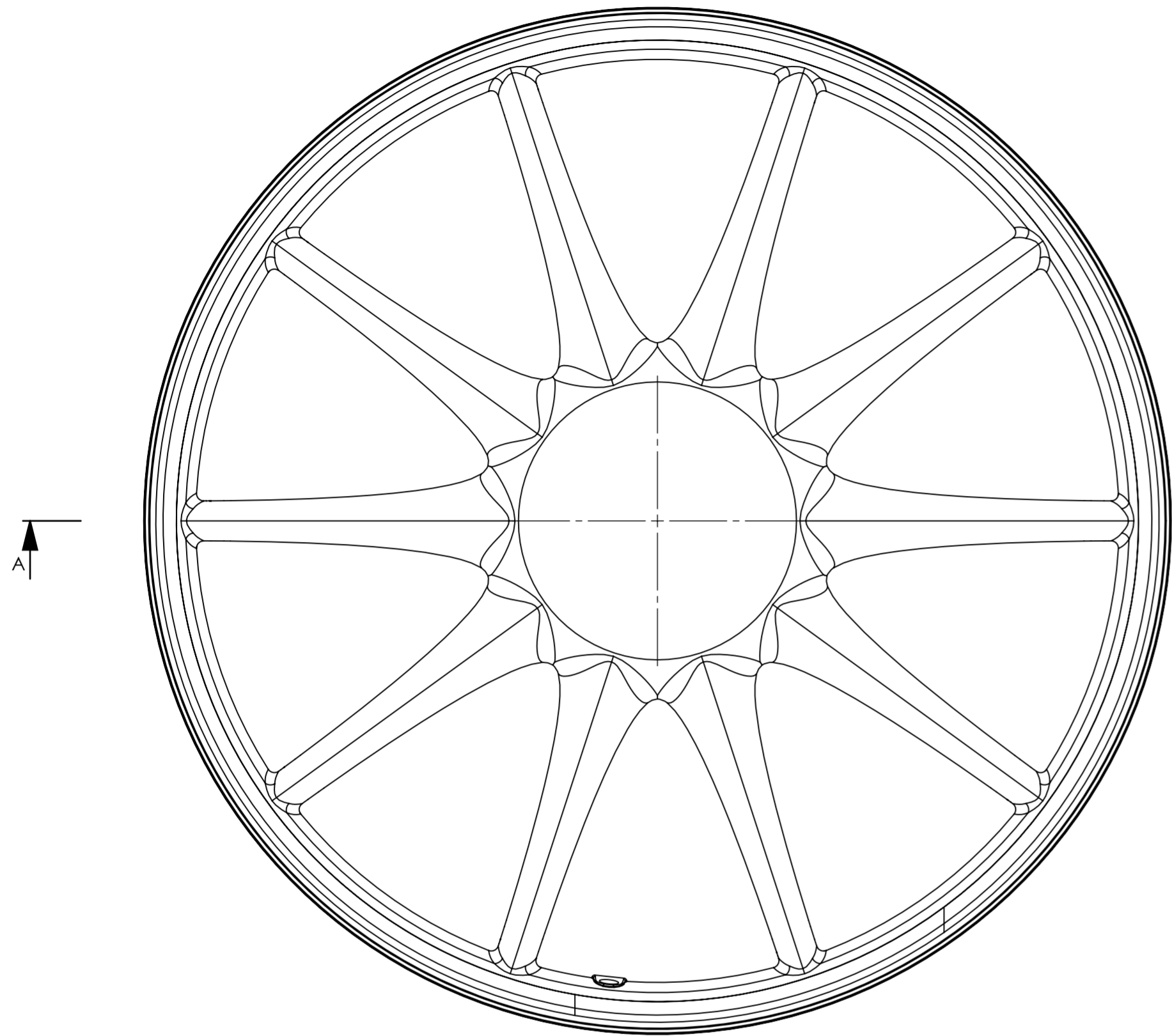


REVISIONS		
REV.	DATE	DESCRIPTION



Dimensions in millimeters. Do not scale drawing. 3D files are leading. Unless otherwise specified R0 may be R0.2

3D file name = name + revision (without extension)

**Alligt-CBW2-C**

Description

Material: PA 66 GF60  
 Weight (estm): 1341.0gram  
 Status: For review  
 General Tolerance:

Drawn JB  
 Drawing 15-1-2021  
 3D file 19-1-2021



Bol Design  
 Babberichseweg 77  
 6905JS Zevenaar  
 The Netherlands  
 www.boldesign.nl

remarks:

Finish  
 View  
 Other

SCALE: 1:2  
 A2 SHEET 1 OF 1