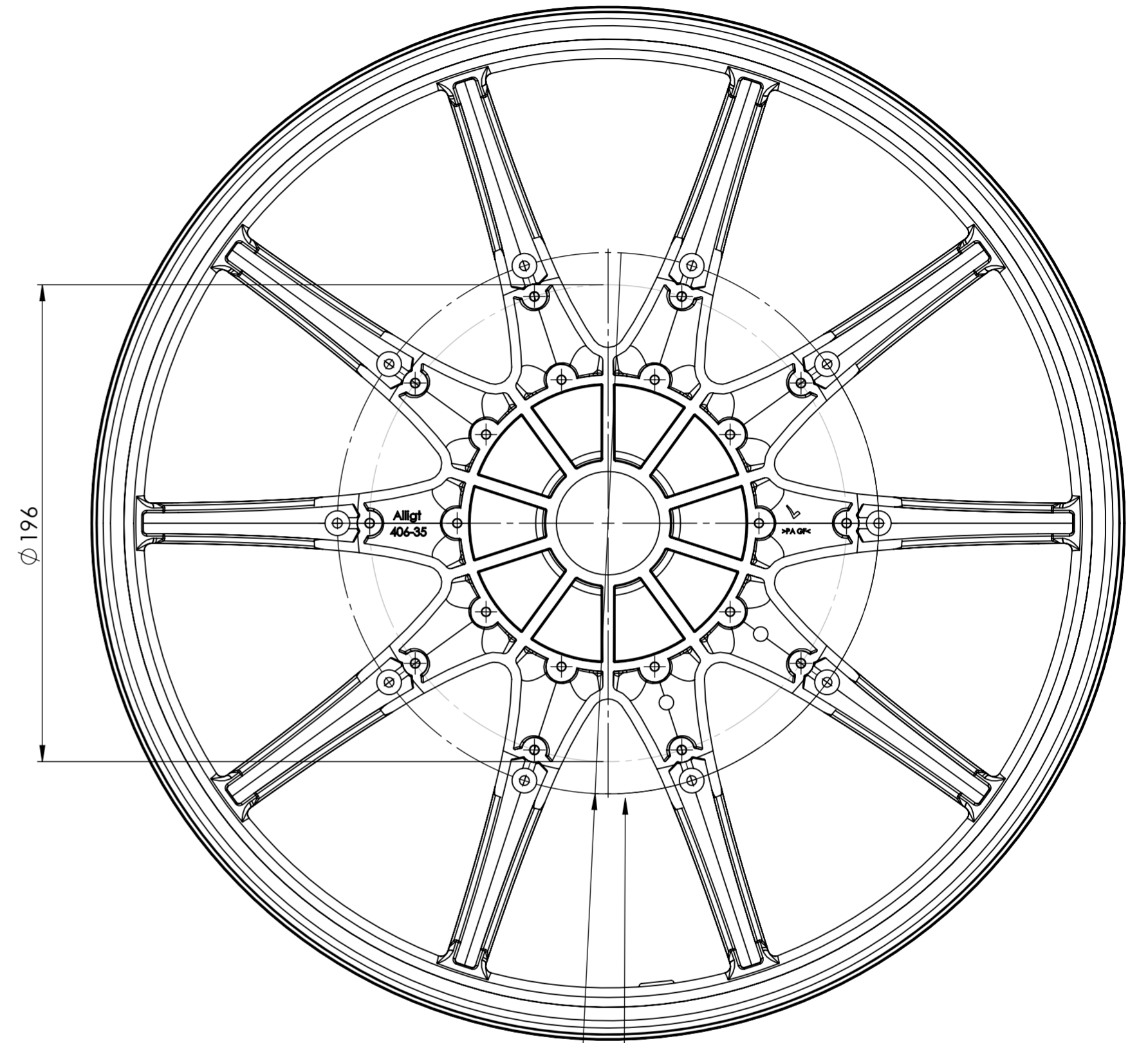
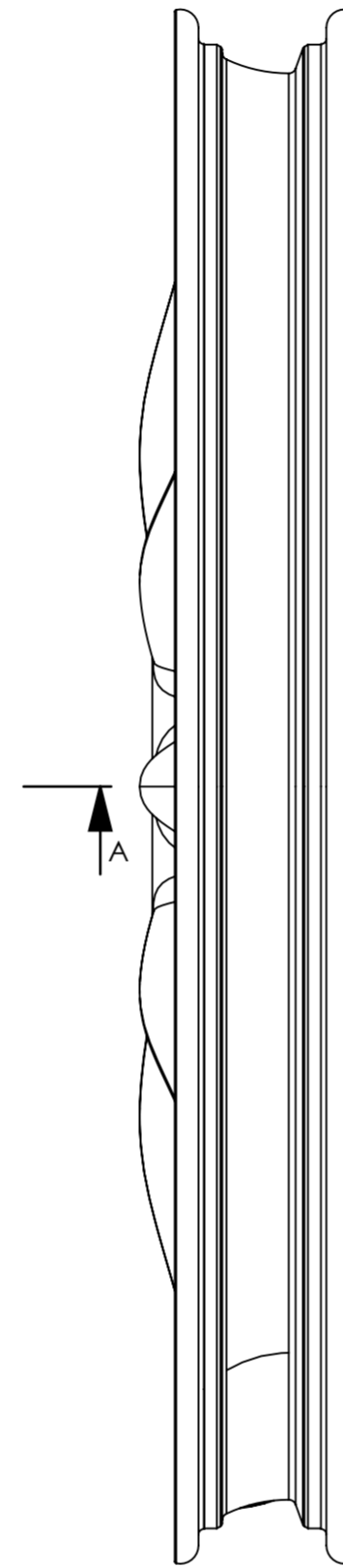
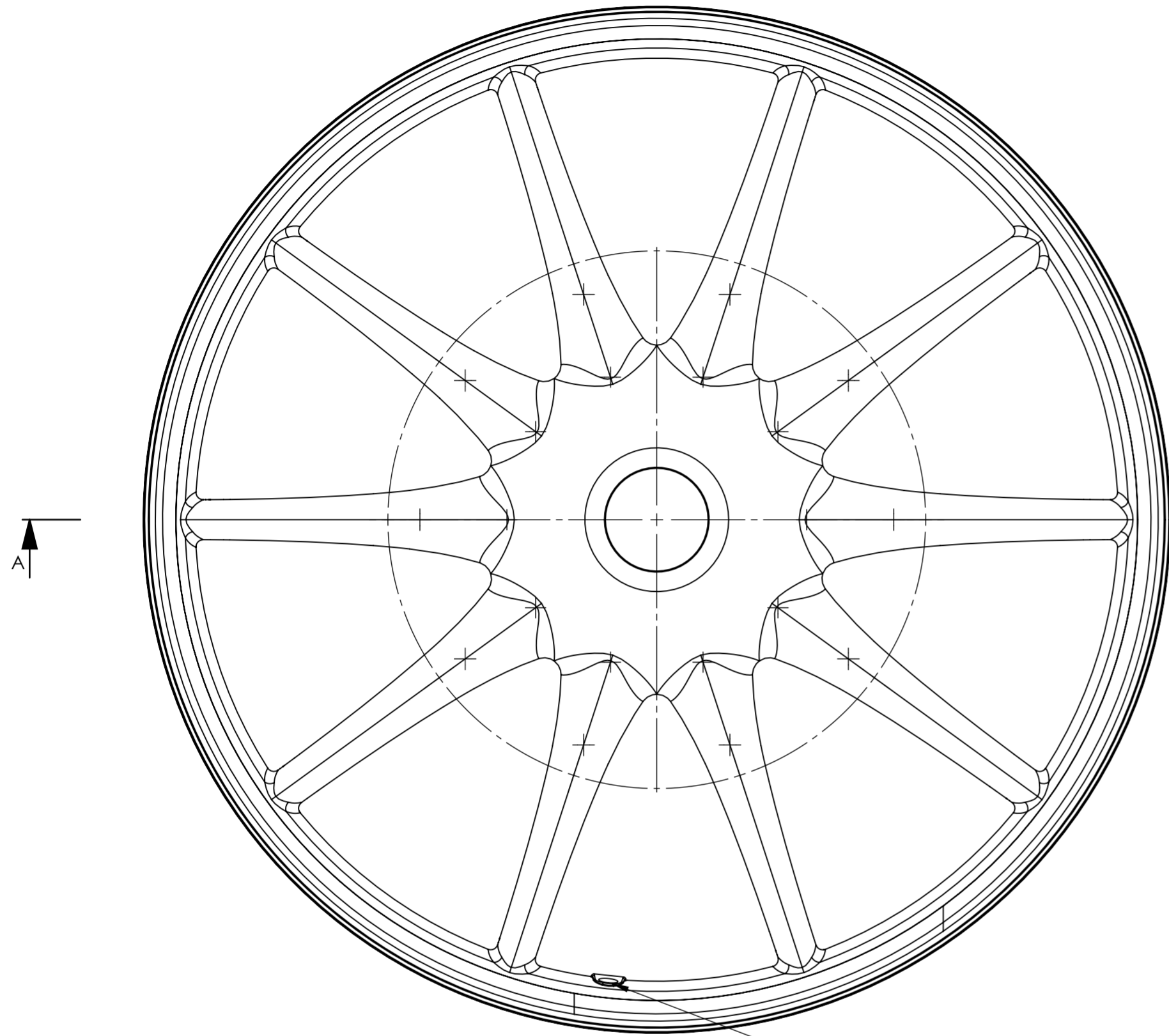
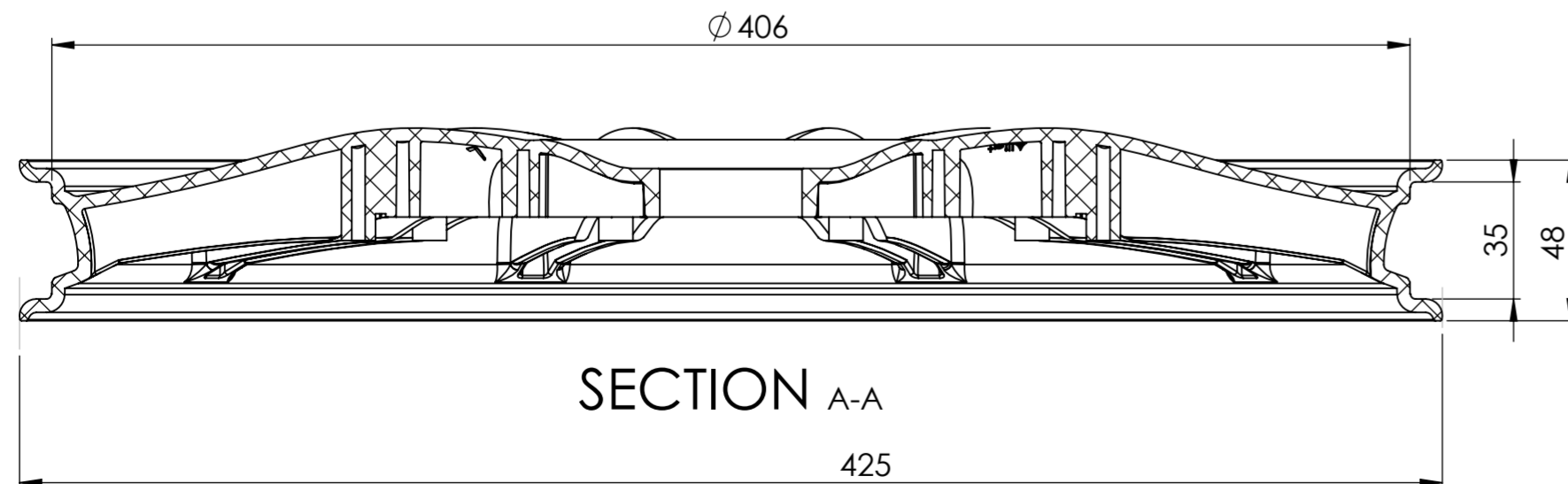


REVISIONS		
REV.	DATE	DESCRIPTION



valve hole diam. 8 mm



Dimensions in millimeters. Do not scale drawing. 3D files are leading. Unless otherwise specified R0 may be R0.2

3D file name = name + revision (without extension)

Alligt-CBW2-B

Description

Material: PA 66 GF60
 Weight (estm): 1349.7gram
 Status: For tooling
 General Tolerance:

Drawn JB
 Drawing 24-11-2020
 3D file 24-11-2020



Bol Design
 Babberichseweg 77
 6905JS Zevenaar
 The Netherlands
 www.boldesign.nl

remarks:

Finish
 View
 Other

SCALE: 1:2
 A2 SHEET 1 OF 1